

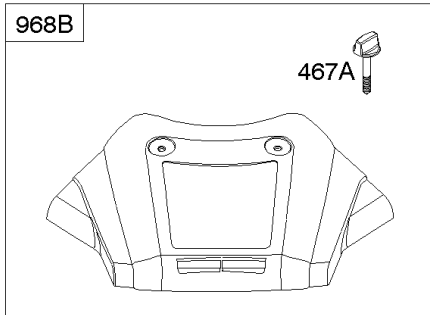
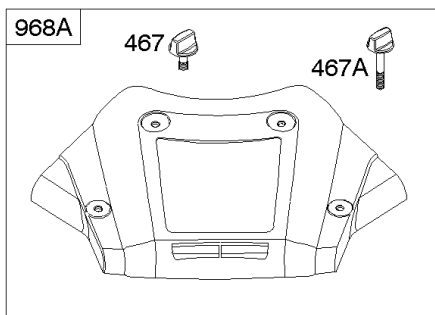


Parts Manual

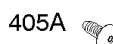
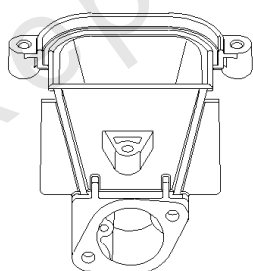
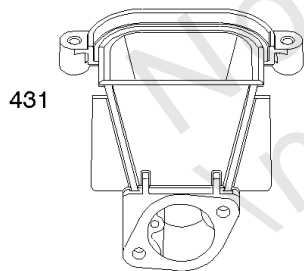
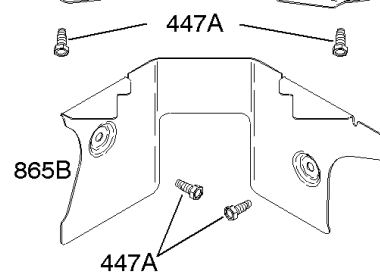
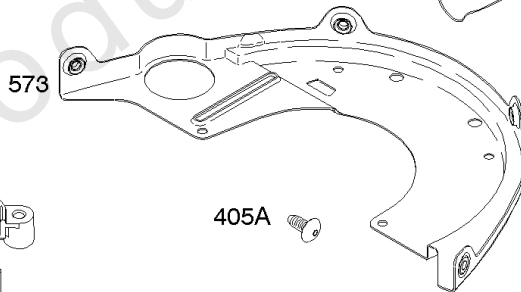
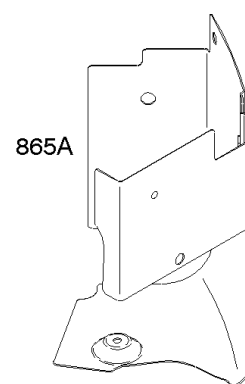
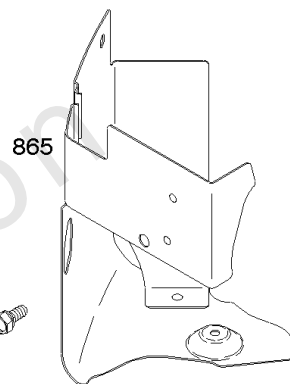
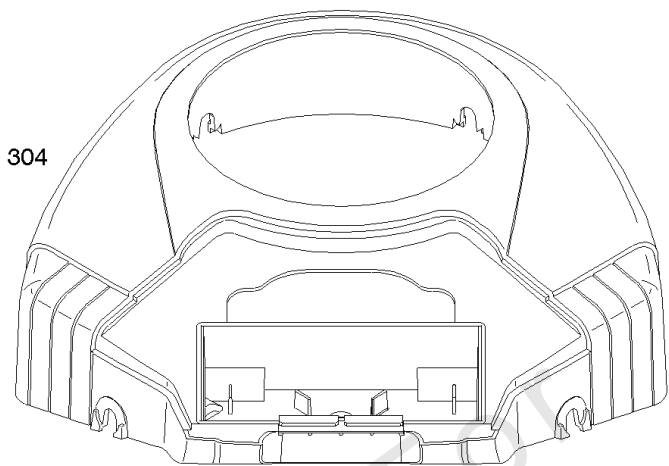
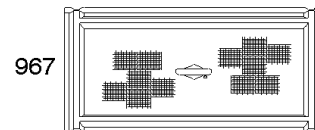
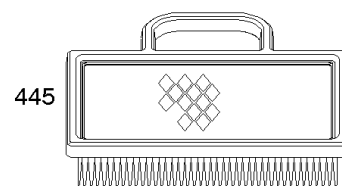
Mfg. No: 407577-0283-E1

Model Components	Page
Air Cleaner, Blower Housing.....	4
Alternators, Ignition.....	6
Camshaft, Crankshaft, Gasket Set-Engine, Lubrication, Pistons, Rings, Connecting Rod.....	8
Carburetor, Exhaust System, Fuel Supply, Kit - Carburetor Overhaul.....	10
Controls, Electric Starter, Flywheel, Governor Spring.....	12
Cylinder Head, Gasket Set-Valve, Intake Manifold, Valves.....	16
Cylinder, Engine Sump.....	18
Replacement Engine.....	20

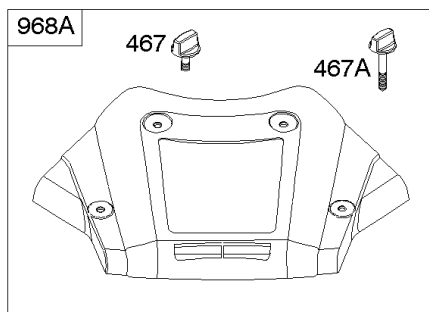
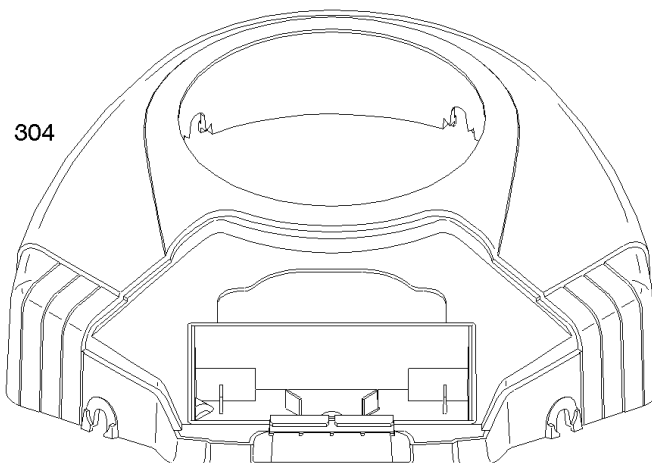
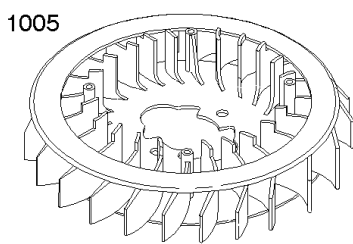
Not For
In Reproduction



1036 EMISSIONS LABEL







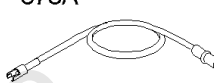
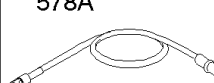



304B



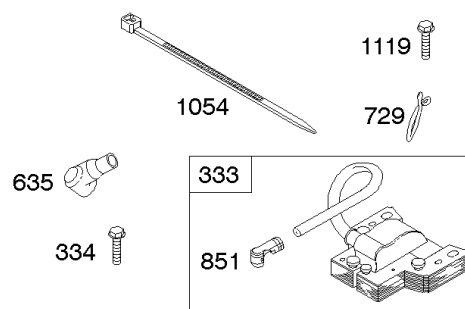
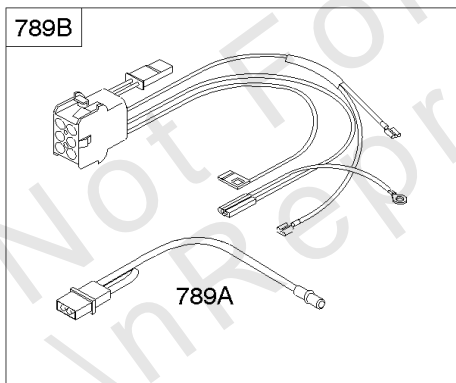
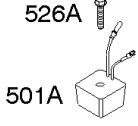
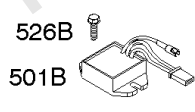
Air Cleaner, Blower Housing

REF NO	PART NO	QTY	DESCRIPTION
51D	699800		GASKET, Intake
304	790688		HOUSING, Blower -(Black)
304B	790692		HOUSING, Blower -(Black)
305	691005		SCREW -(Blower Housing) (Blower Housing)
305B	790690		SCREW -(Blower Housing) (Blower Housing To Intake Elbow)
405A	697820		SCREW -(Back Plate)
431	699806		MANIFOLD, Intake -Used Before Code Date 04080400
431A	790628		MANIFOLD, Intake -Used After Code Date 04080300
445	499486S		FILTER, A/C Cartridge
447	691003		SCREW -(Air Guide Cover)
447A	691108		SCREW -(Air Guide Cover)
467	790697		KNOB, Air Cleaner Cover -(1" Long)
467A	691008		KNOB, Air Cleaner Cover -(1 1/2)
573	790444		PLATE, Back
703	691010		CLIP
729	694123		CLIP, Wire
865	691012		COVER, Air Guide -(Cylinder 1)
865A	691014		COVER, Air Guide -(Cylinder 2)
865B	691015		COVER, Air Guide -(Valley)
967	273638S		FILTER, Pre Cleaner
968A	790689		COVER, Air Cleaner
968B	790095		COVER, Air Cleaner
1005	499603		FAN, Flywheel -Used Before Code Date 04072000
1005	790698		FAN, Flywheel -Used After Code Date 04071900
1036	-----		Label-Emissions -(Available from an Authorized Briggs & Stratton Service Dealer)

DUAL CIRCUIT		10 - 16 AMP	5 - 9 AMP
474C	1059	474B	1059
877C		877B	
			
878C		578A	578A
			

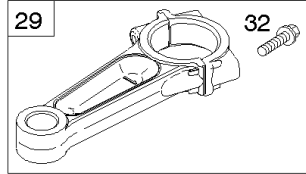
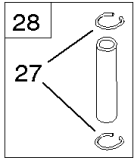
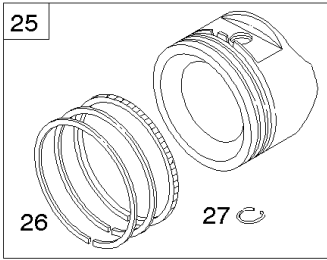
NOTE: All stators use a No. 1119 mounting screw. 

NOTE: The proper flywheel part number and/or the alternator magnet size will determine the alternator type or output. See repair instruction manual for additional information.

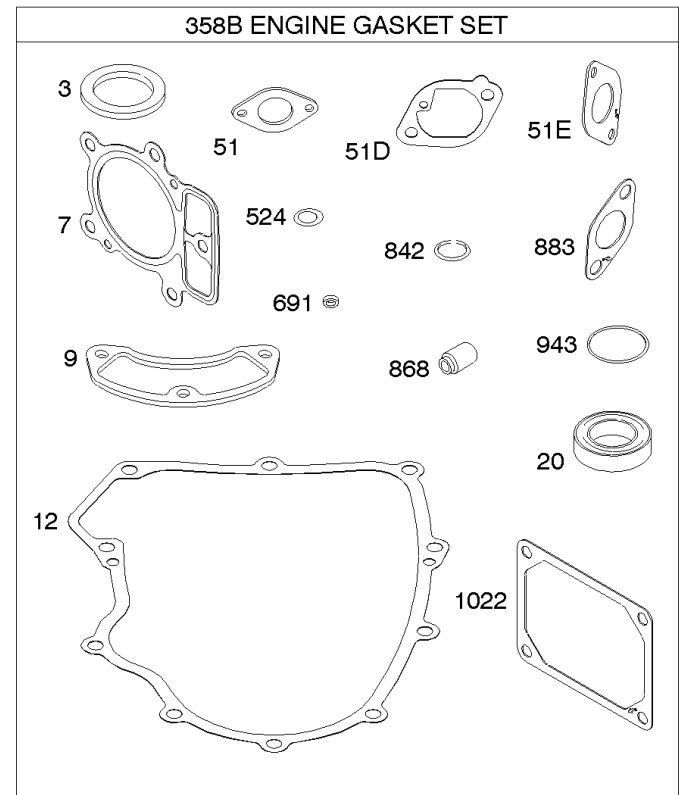
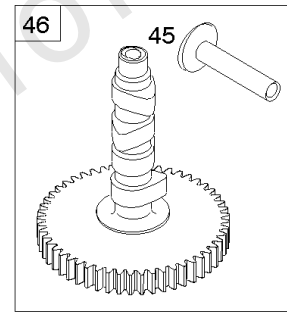
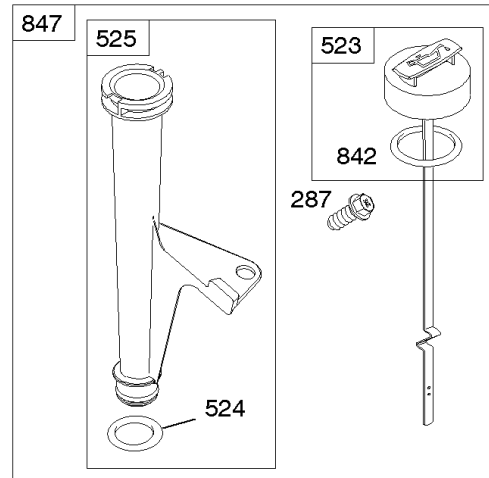
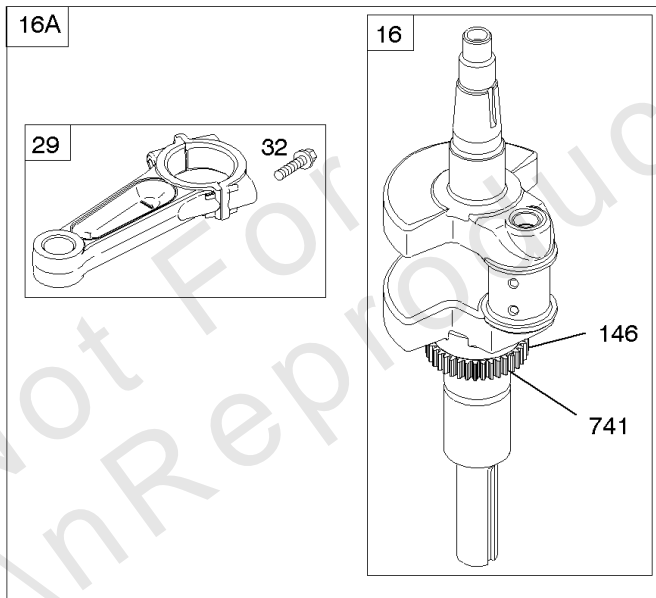


Alternators, Ignition

REF NO	PART NO	QTY	DESCRIPTION
333	691060		ARMATURE, Magneto
334	691061		SCREW -(Magneto Armature)
474A	696457		ALTERNATOR -(5 and 9 Amp Regulated)
474C	696459		ALTERNATOR -(Dual Circuit)
474B	696458		ALTERNATOR -(10 and 16 Amp Regulated)
501A	691188		REGULATOR -(9 Amp Regulated)
501B	691185		REGULATOR -(16 Amp Regulated)
526A	691129		SCREW -(Regulator)
526B	691108		SCREW -(Regulator)
578A	691208		WIRE ASSEMBLY
635	66538S		BOOT, Spark Plug
729	694123		CLIP, Wire
789A	790544		WIRE/CONNECTOR, Alternator
789B	698330		HARNESS, Wiring
851	493880S		TERMINAL, Spark Plug
877A	393537		WIRE/CONNECTOR, Alternator -(Tri Circuit) (9 Amp)
877B	399916		WIRE/CONNECTOR, Alternator
877C	393456		WIRE/CONNECTOR, Alternator
878C	398661		HARNESS, Wiring
1054	280275		TIE, Cable
1059	698516		KIT, Screw/Washer
1119	691183		SCREW -(Alternator)

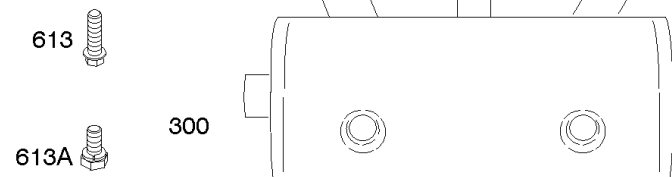
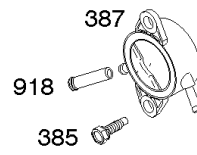
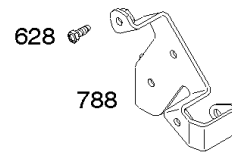
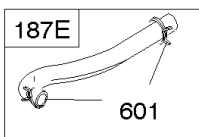
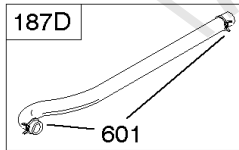
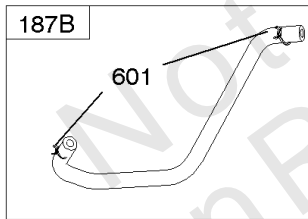
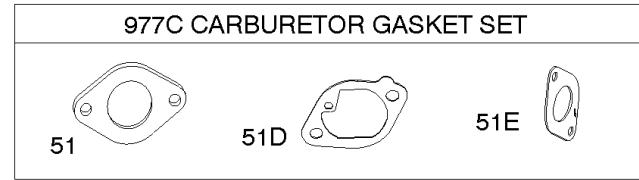
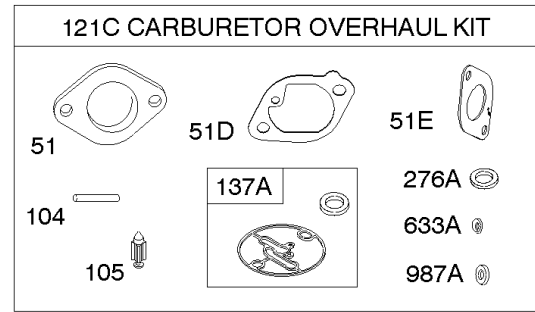
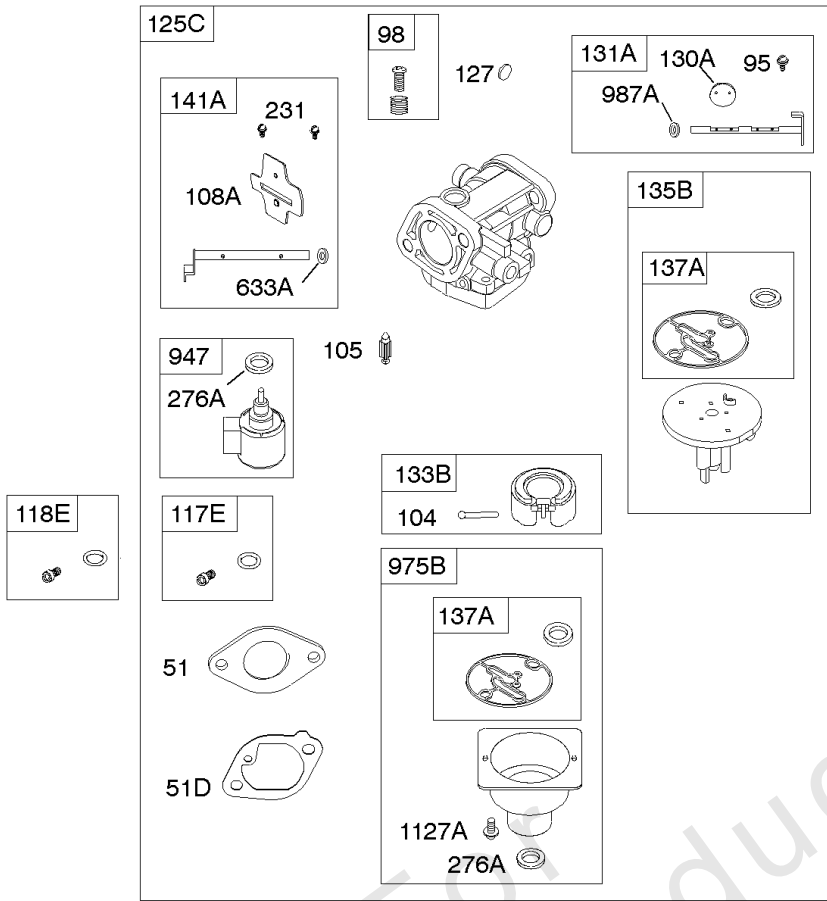


24



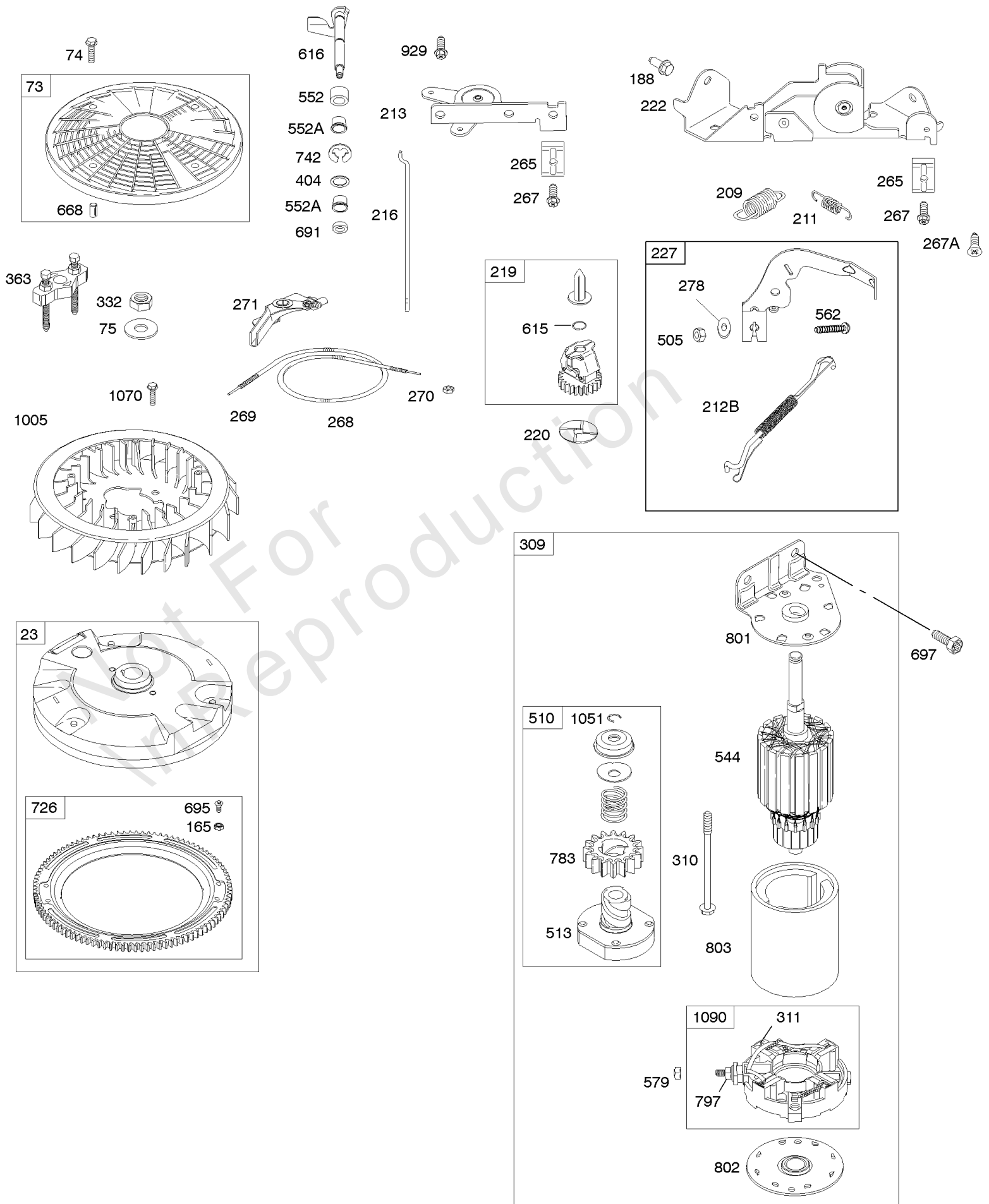
Camshaft, Crankshaft, Gasket Set-Engine, Lubrication, Pistons, Rings, Connecting Rod

REF NO	PART NO	QTY	DESCRIPTION
3	391086S		SEAL, Oil -(Magneto Side)
7	693997		GASKET, Cylinder Head
9	690937		GASKET, Breather
12	697227		GASKET, Crankcase
16	699700		CRANKSHAFT -Used After Code Date 04010800
16A	699701		CRANKSHAFT -(Includes Connecting Rod) -Used Before Code Date 04010900
20	690947		SEAL, Oil -(PTO Side)
24	222698S		KEY, Flywheel
25	499590		PISTON ASSEMBLY -(.020 Oversize)
25	499588		PISTON ASSEMBLY -(Standard)
26	499606		SET, Ring -(.020 Oversize)
26	499604		SET, Ring -(Standard)
27	690975		LOCK, Piston Pin
28	690229		PIN, Piston -(Standard)
29	-----		Rod-Connecting -(For Replacement Connecting Rod, See Reference 16A) -Used Before Code Date 04010900
29	699699		ROD, Connecting -(Standard) -Used After Code Date 04010800
32	690976		SCREW -(Connecting Rod)
45	690977		TAPPET, Valve
46	790562		CAMSHAFT
51	699803		GASKET, Intake
51D	699800		GASKET, Intake
51E	690949		GASKET, Intake
146	690979		KEY, Woodruff
287	691108		SCREW -(Dipstick Tube)
358B	699823		GASKET SET, Engine
523	691036		DIPSTICK
524	691032		SEAL, O-Ring
525	691037		TUBE, Dipstick
691	690657		SEAL, Governor Shaft
741	690980		GEAR, Timing
842	691031		SEAL, O-Ring -(Dipstick Tube)
847	499602		DIPSTICK/TUBE ASSEMBLY
868	690968		SEAL, Valve
883	690970		GASKET, Exhaust
943	690589		SEAL, O-Ring -(Oil Pump Cover)
1022	690971		GASKET, Rocker Cover



Carburetor, Exhaust System, Fuel Supply, Kit - Carburetor Overhaul

REF NO	PART NO	QTY	DESCRIPTION
51	699803		GASKET, Intake
51D	699800		GASKET, Intake
51E	690949		GASKET, Intake
95	690718		SCREW -(Throttle Valve)
98	699721		KIT, Idle Speed
104	694918		PIN, Float Hinge
105	698537		VALVE, Float Needle
108A	699808		VALVE, Choke
117E	791406		JET, Main -(Standard)
118E	699820		JET, Main -(High Altitude)
121C	699814		KIT, Carburetor Overhaul
125C	699807		CARBURETOR
127	699810		PLUG, Welch
130A	699809		VALVE, Throttle
131A	699812		KIT, Throttle Shaft
133B	694914		FLOAT, Carburetor
135B	792022		TUBE, Fuel Transfer
137A	698781		GASKET, Float Bowl
141A	699811		KIT, Choke Shaft
187B	791872		LINE, Fuel -(Formed Hose)
187D	791744		LINE, Fuel -(Formed)(Cut To Required Length)
187E	791801		HOSE, Vacuum -(Formed)(Cut To Required Length)
231	690718		SCREW -(Choke Valve)
240	84001895		FILTER, Fuel
276A	695410		WASHER, Sealing
385	691108		SCREW -(Fuel Pump)
387	808656		PUMP, Fuel
601	791850		CLAMP, Hose -(Green)
601A	691038		CLAMP, Hose -(Black)
613	690341		SCREW -(Muffler)
613A	690297		SCREW -(Muffler)
628	691108		SCREW -(Fuel Pump Bracket)
633A	695414		SEAL, Choke/Throttle Shaft
788	691039		BRACKET, Fuel Pump
883	690970		GASKET, Exhaust
918	694000		HOSE, Vacuum
947	699728		SOLENOID, Fuel
975B	699502		BOWL, Float
977C	699815		SET, Carburetor Gasket
987A	699813		SEAL, Choke/Throttle Shaft
1127A	695407		SCREW -(Float Bowl)



Controls, Electric Starter, Flywheel, Governor Spring

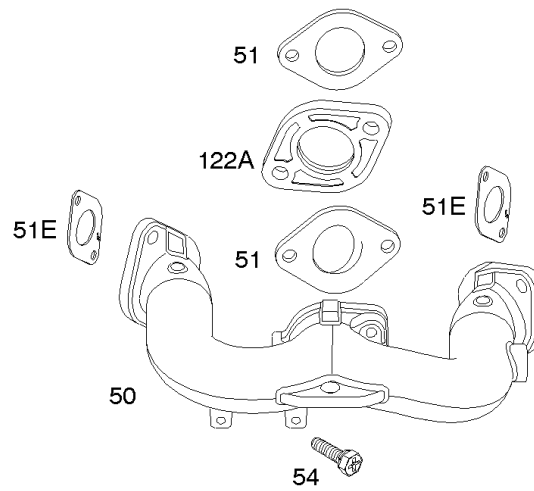
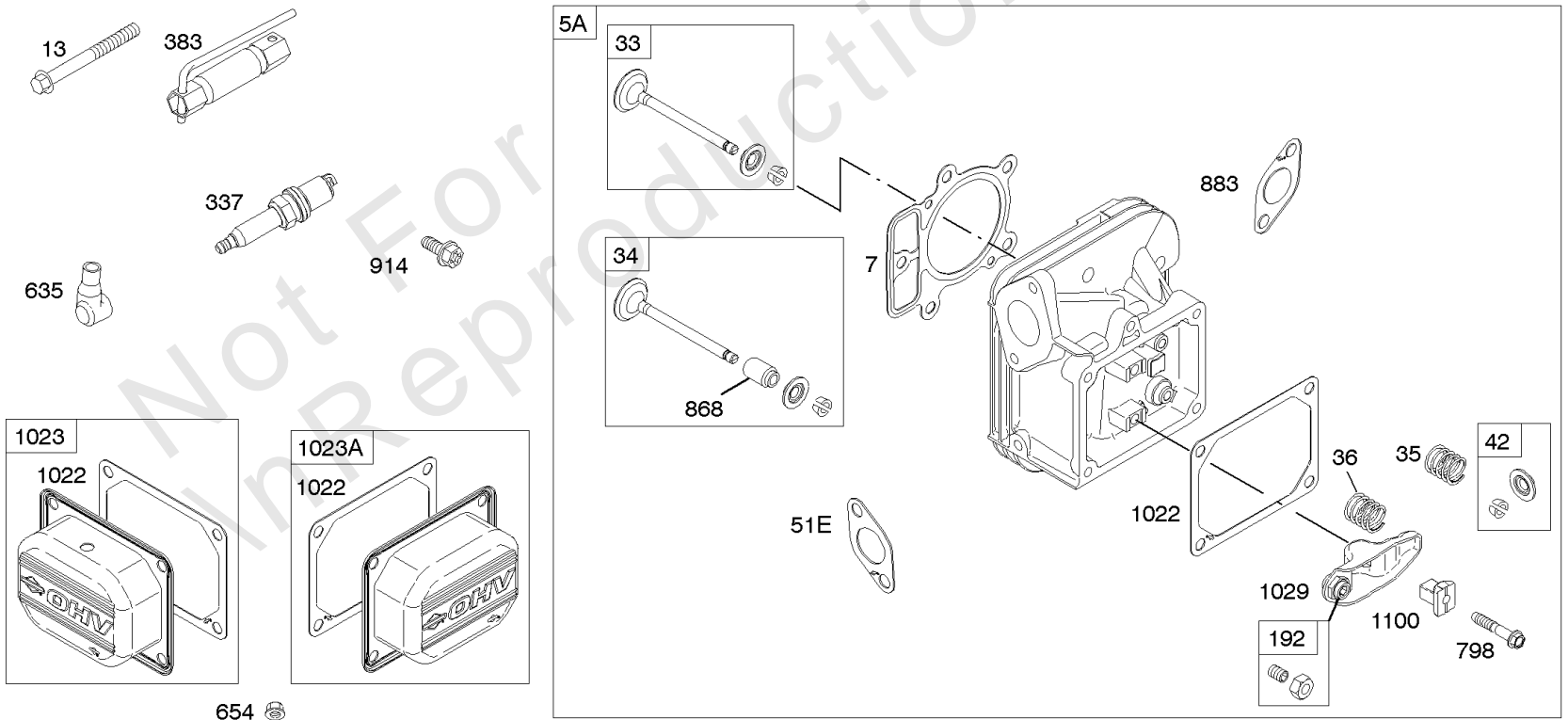
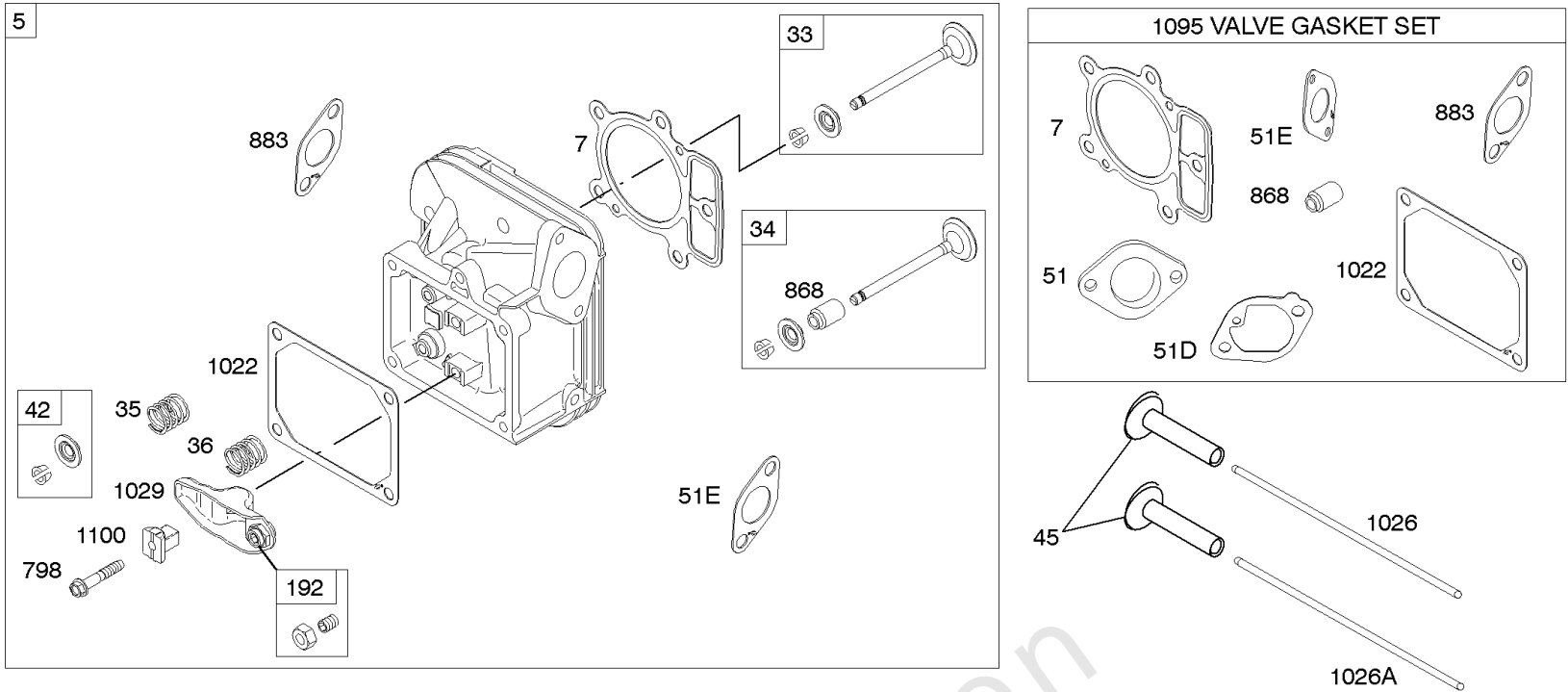
REF NO	PART NO	QTY	DESCRIPTION
23	691054		FLYWHEEL
73	494439		SCREEN, Rotating
74	698425		SCREW -(Rotating Screen)
75	691056		WASHER -(Flywheel)
165	693148		NUT -(Ring Gear)
188	691108		SCREW -(Control Bracket)
209	692909		SPRING, Governor
211	691019		SPRING, Governed Idle
212B	792265		LINK, Throttle
213	691021		BRACKET, Choke Control
216	691022		LINK, Choke
219	698231		GEAR, Governor
220	690412		WASHER -(Governor Gear)
222	698761		BRACKET, Control
227	792492		LEVER, Governor Control
265	691024		CLAMP, Casing
267A	695134		SCREW -(Casing Clamp)
268	691025		CASING, Control Wire -(Cut To Required Length)
269	691026		WIRE, Control -(Cut To Required Length)
270	691027		NUT -(Control Wire Casing)
271	691028		LEVER, Control
278	792651		WASHER -(Governor Control Lever)
309	497595		MOTOR, Starter -(3 5/8) (Plastic Ring Gear)
310	690323		BOLT -(Starter Motor)
311	497608		SET, Brush
332	691059		NUT -(Flywheel)
363	19203		PULLER, Flywheel
404	690442		WASHER -(Governor Crank)
505	691029		NUT -(Governor Control Lever)
510	696541		DRIVE, Starter
513	692024		CLUTCH, Drive
544	-----		Armature-Starter -(Service with 497595 Starter Motor)
552	690552		BUSHING, Governor Crank
552A	690553		BUSHING, Governor Crank
562	690311		BOLT -(Governor Control Lever)
579	691029		NUT -(Starter Cable)
615	698290		RETAINER, Governor Shaft
616	691045		CRANK, Governor

Controls, Electric Starter, Flywheel, Governor Spring

REF NO	PART NO	QTY	DESCRIPTION
668	691215		SPACER
691	690657		SEAL, Governor Shaft
695	693149		SCREW -(Ring Gear)
697	690372		SCREW -(Drive Cap)
726	499612		GEAR, Ring
742	690328		RETAINER, E Ring
783	695708		GEAR, Pinion
797	693167		NUT -(Brush Retainer)
801	691283		CAP, Drive
802	691286		CAP, End
803	-----		Housing-Starter -(Service with 497595 Starter Motor)
929	691003		SCREW -(Choke Control Bracket)
1005	499603		FAN, Flywheel -Used Before Code Date 04072000
1005	790698		FAN, Flywheel -Used After Code Date 04071900
1051	691265		RING, Retaining
1070	690372		SCREW -(Flywheel Fan)
1090	691293		RETAINER, Brush

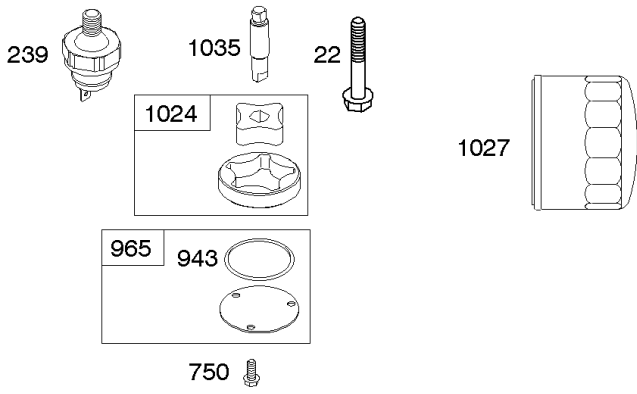
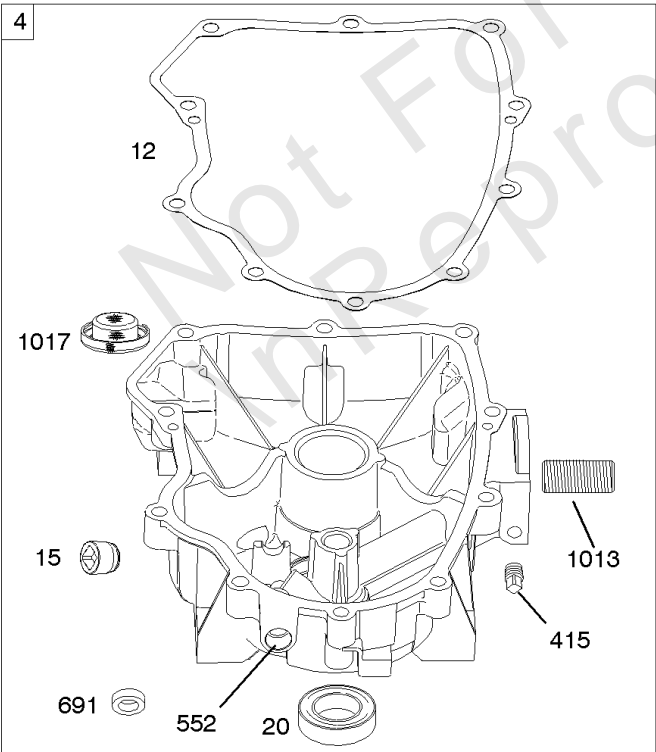
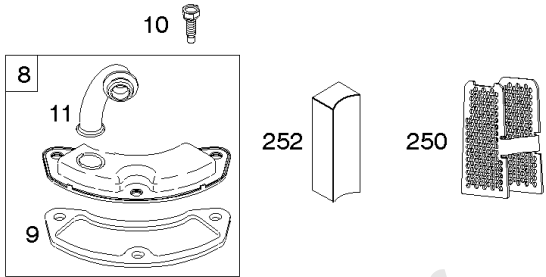
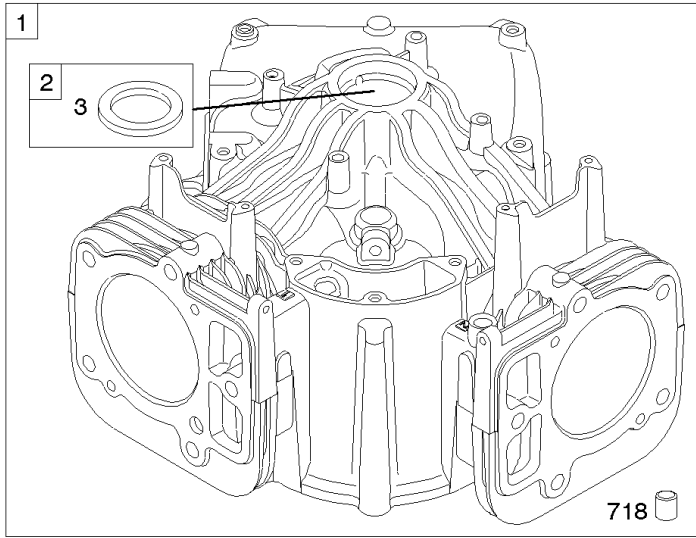
Cylinder Head, Gasket Set-Valve, Intake Manifold, Valves

Mfg. No: 407577-0283-E1



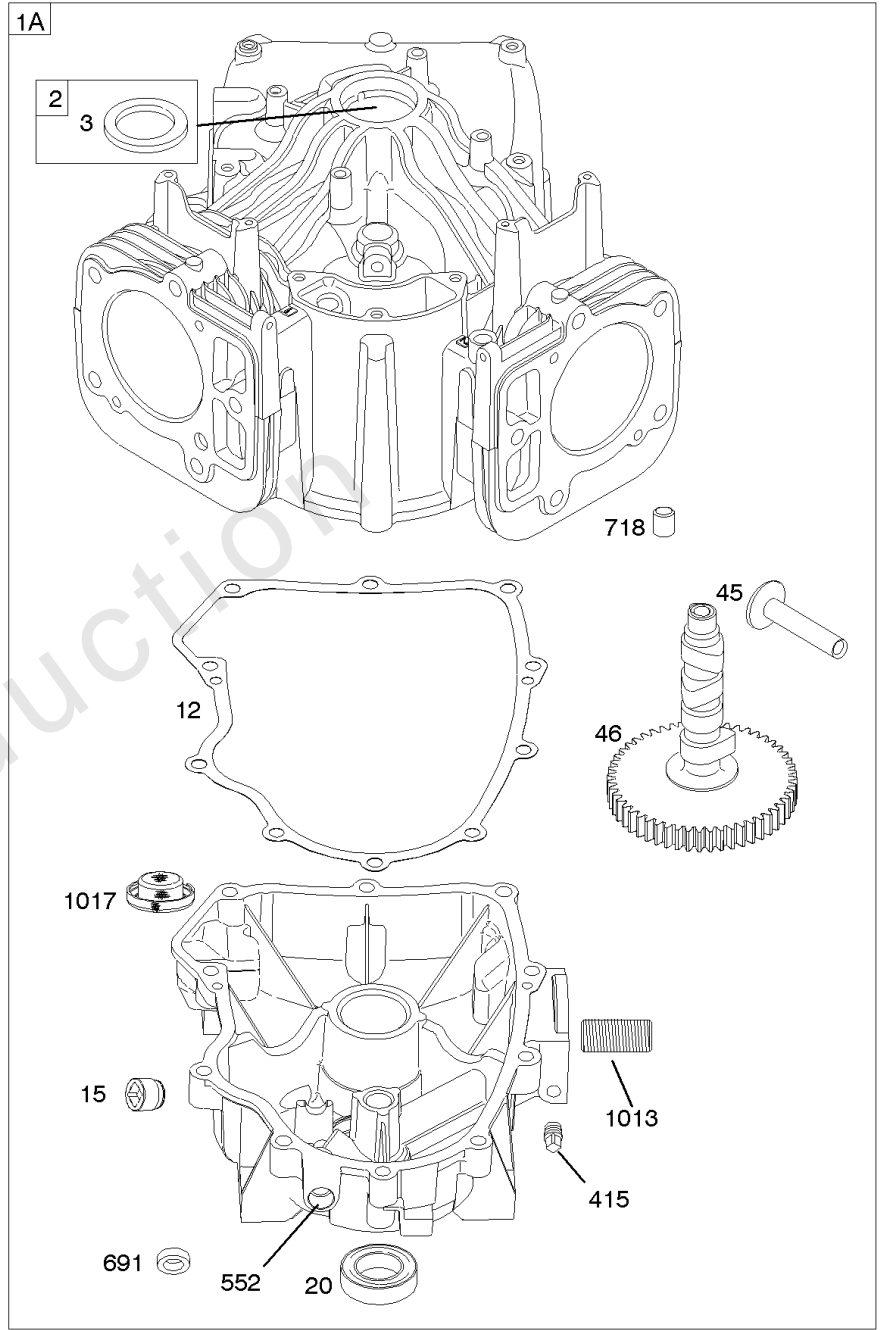
Cylinder Head, Gasket Set-Valve, Intake Manifold, Valves

REF NO	PART NO	QTY	DESCRIPTION
5	792299		HEAD, Cylinder -(Cylinder 1)
5A	792300		HEAD, Cylinder -(Cylinder 2)
7	693997		GASKET, Cylinder Head
13	791130		SCREW -(Cylinder Head)
33	499596		VALVE, Exhaust
34	792200		VALVE, Intake
35	694865		SPRING, Valve -(Intake)
36	694865		SPRING, Valve -(Exhaust)
42	499586		KEEPER, Valve
45	690977		TAPPET, Valve
50	699801		MANIFOLD, Intake
51	699803		GASKET, Intake
51D	699800		GASKET, Intake
51E	690949		GASKET, Intake
53	690951		STUD -(Carburetor)
54	695240		SCREW -(Intake Manifold) -Used Before Code Date 04110500
54	699816		SCREW -(Intake Manifold) -Used After Code Date 04110400
122A	699802		SPACER, Carburetor
192	690083		ADJUSTER, Rocker Arm
212	699805		LINK, Throttle
337	691043		PLUG, Spark
383	19374S		WRENCH, Spark Plug
635	66538S		BOOT, Spark Plug
654	690958		NUT -(Carburetor)
798	697890		SCREW -(Rocker Arm)
868	690968		SEAL, Valve
883	690970		GASKET, Exhaust
914	691127		SCREW -(Rocker Cover)
1022	690971		GASKET, Rocker Cover
1023	499599		COVER, Rocker -(Cylinder 1)
1023A	499600		COVER, Rocker -(Cylinder #2)
1026	690981		ROD, Push -(Steel)
1026A	690982		ROD, Push -(Aluminum)
1029	690972		ARM, Rocker
1095	699822		GASKET SET, Valve
1100	791959		PIVOT, Rocker Arm



1058 OPERATOR'S MANUAL

1330 REPAIR MANUAL



Cylinder, Engine Sump

REF NO	PART NO	QTY	DESCRIPTION
1	699751		CYLINDER ASSEMBLY -Used After Code Date 03082800
1A	699742		CYLINDER ASSEMBLY -Used Before Code Date 03082900
2	499585		KIT, Bushing/Seal -(Magneto Side)
3	391086S		SEAL, Oil -(Magneto Side)
4	690069		SUMP, Engine -Used Before Code Date 03082900
4	699747		SUMP, Engine -Used After Code Date 03082800
8	792185		BREATHER ASSEMBLY
9	690937		GASKET, Breather
10	691108		SCREW -(Breather Assembly)
11	792184		TUBE, Breather
12	697227		GASKET, Crankcase
15	691680		PLUG, Oil Drain
20	690947		SEAL, Oil -(PTO Side)
22	694966		SCREW -(Crankcase Cover/Sump)
45	690977		TAPPET, Valve
46	790562		CAMSHAFT
239	792028		SWITCH, Oil Pressure
250	690957		RETAINER, Breather
252	690956		COLLECTOR, Oil
415	690283		PLUG, Oil -(1/8 Standard)
552	690552		BUSHING, Governor Crank
691	690657		SEAL, Governor Shaft
718	690959		PIN, Locating
750	696999		SCREW -(Oil Pump Cover)
943	690589		SEAL, O-Ring -(Oil Pump Cover)
965	499613		COVER, Oil Pump
1013	690954		NIPPLE, Oil Filter
1017	690770		SCREEN, Oil Pump
1024	499054		PUMP, Oil
1027	492932S		FILTER, Oil
1035	691042		SHAFT, Pump
1058	276245		MANUAL, Operator's -(Emission)
1330	273521		MANUAL, Repair

Replacement Engine

REF NO	PART NO	QTY	DESCRIPTION
	4455773035	1	Replacement Engine
	698172	1	Replacement Short Block
	-----		Top No-Load Speed: 3300 -Trim: ALL
	-----		Service Note: Original engine was equipped special Remote Throttle Control or Governor Control. Transfer these parts to replacement engine.
	-----		Service Note: Transfer Muffler and/or Spark Arrester Assembly from the original engine if suitable for additional service or add new parts as required
	-----		Service Note: Transfer Remote Choke Control Assembly from original engine to replacement engine.
	-----		Short Block Note: If repair would also require the Cylinder Head Assembly Order Short Block Part Number 792957.

Not For In-Product Use

